

# **SNOWEX<sup>®</sup>**

## ***SideWalk Pro***

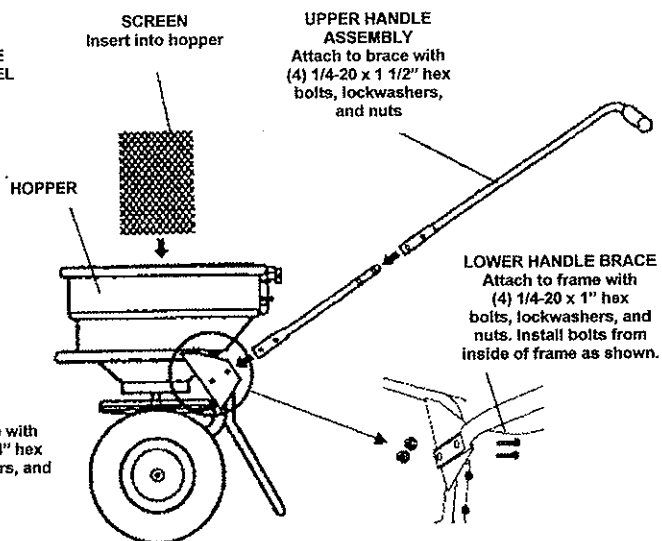
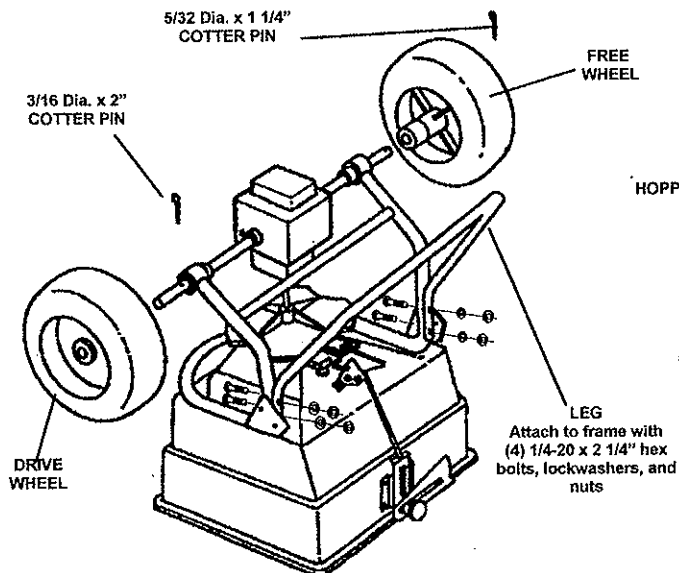
---



**MODEL SP-75**

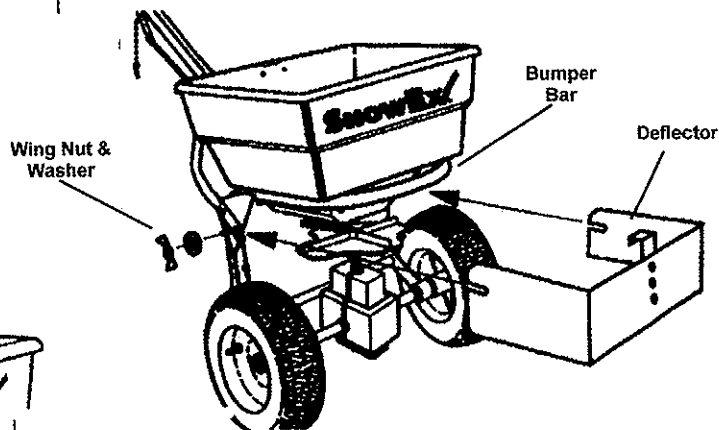
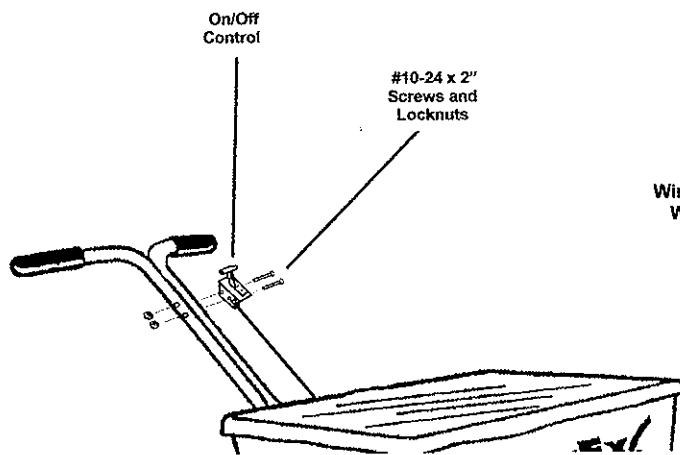
**OWNER'S MANUAL**

# ASSEMBLY



**1** Remove spreader and components from carton and place spreader upside down. Slide drive and free wheels on axle as shown with the longer portion of wheel hub facing the frame. Secure free wheel with a 5/32 Dia. x 1 1/4" cotter pin. Secure drive wheel with 3/16" Dia. x 2" cotter pin. Attach leg to frame as shown with (4) 1/4-20 x 2 1/4" hex bolts, lockwashers, and nuts. Tighten securely.

**2** Turn spreader upright on wheels and insert screen into hopper. Attach lower handle brace to frame with (4) 1/4-20 x 1" hex bolts, lockwashers, and hex nuts. **INSERT BOLTS FROM THE INSIDE OF FRAME AS SHOWN.** Do not tighten bolts. Attach upper handle assembly to brace (make sure on/off lever is positioned as shown) using (4) 1/4-20 x 1 1/2" hex bolts, lockwashers, and nuts. Tighten securely. Install handle grips onto upper handle.



**3** Install On/Off Control to the upper handle using (2) #10-24 x 2" hex screws and locknuts. Slide handle grips onto the handle cross tube. Soapy water will ease installation. (Do not use petroleum based products).

**4** Tilt the front of the deflector up slightly and slide deflector onto bolts in frame and place the deflector bracket over the bumper bar on the spreader. Secure both sides of the deflector with a washer and wing nut. To remove, simply loosen the wing nuts and slide the deflector off. Retighten wing bolts.

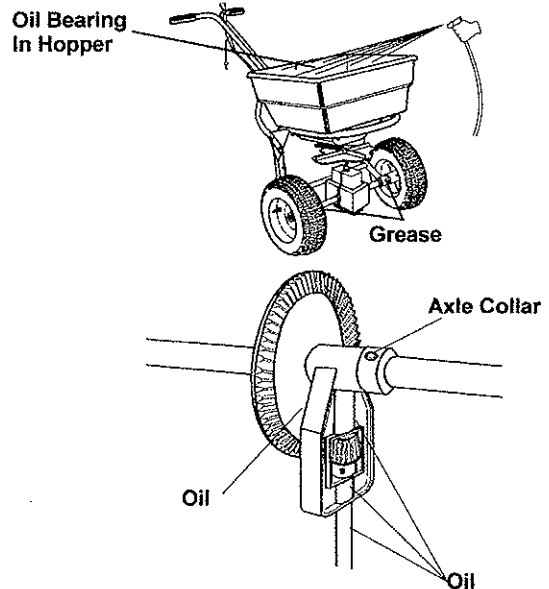
**5** To check spreader for complete shutoff, pull the on/off control lever back to the "OFF" position. Determine if the hole in the hopper is completely closed. If it is not, loosen the cable clamp bolt on the cable bracket on the hopper and slide the cable forward until the hole in the hopper is closed. Re-tighten bolt and check shutoff.

# OPERATION

1. The spreader can be used with or without the deflector. With the deflector the overall swath width will be approximately 24" to 30". Without the deflector the spreader will throw most ice melt products 10 feet or more.
2. Always fill the spreader on the driveway or sidewalk-not on the lawn. Make sure screen is in hopper and spreader is in the "OFF" position.
3. Start spreader moving before opening port. Close before stopping. Always push spreader, never pull.
4. Hold handle so top of spreader is level. Tipping the spreader too far can cause uneven spreading.
5. When transporting spreader, make sure that it is in the "OFF" position. Make sure handle lever is locked using the hitch pin through the hole in lever.
6. Empty spreader after each use. Return leftover material to its original container.

# MAINTENANCE

1. Never store unused material in spreader. Return unused product to its original container.
2. Wash spreader thoroughly after each use and dry completely in sun or heated area.
3. Grease axle bearings in frame. Oil the impeller shaft bearing in hopper, pivot points on the shut-off plate.
4. Remove gear cover and wash gears thoroughly. Oil all bearing areas and lubricate gear teeth with dry graphite or oil. Re-install gear cover.
5. Gear mesh should be checked on a regular basis during high use periods. Clearance between the axle gear and pinion gear should be minimal but not tight. If adjustment is necessary, loosen axle collar set screw and hold gears together. Slide axle collar against the gear support and tighten axle collar set screw. Spin drive wheel. Gears should run freely and smoothly. Re-install gear cover when finished.
6. Impeller surface should be cleaned periodically to remove build-up of product. Build-up can cause the spread pattern to change.
7. Tire pressure should be 20-25 PSI.



# LIMITED WARRANTY

## TrynEX warrants to Purchaser the following:

1. Product will be free of defects in materials and workmanship for a period of one year from date of purchase.
2. The axle gear, gear support, pinion gear, axle, and axle bearings have a limited 2 year warranty to be free of defects in materials and workmanship.
3. TrynEX will decide in its reasonable discretion if the part(s)/unit is defective.
4. The spreader or part(s) will be shipped to TrynEX at the customer expense with a written description of defect to the attention of TrynEX WARRANTY DEPARTMENT.
5. If the spreader is used for commercial rental the Limited Warranty shall be limited to a period of 90 days.
6. All Unit and part replacement will be performed at the reasonable discretion of TrynEX.
7. Labor charges are not covered and the unit need not be returned to the dealer for warranty service.
8. Proof of purchase must be supplied to TrynEX.

TrynEX's sole obligation under this warranty is limited to repairing or replacing the defective part. Upon replacement of any Product or Product part, the replaced item shall become the property of TrynEX. If TrynEX determines that the Product covered by this warranty requires service, TrynEX shall prepay return shipping charges from TrynEX. In all other instances, such charges shall be paid by Purchaser. Except for loss or damage caused by TrynEX's negligence, Purchaser relieves TrynEX of responsibility for all risks of loss or damage to the Product and its parts during the period the products are in transit to and from TrynEX.

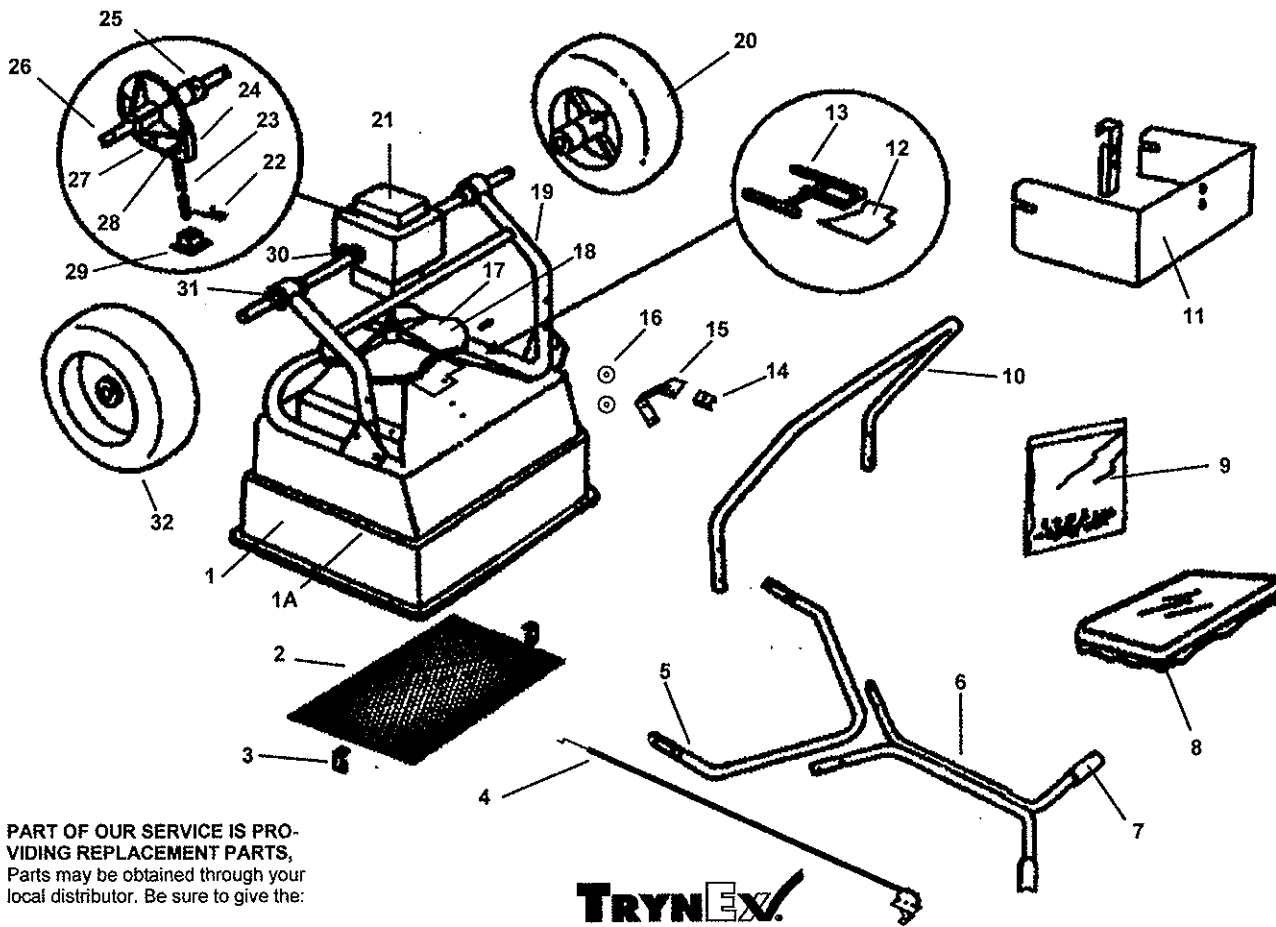
This warranty does not extend to any Product or parts thereof that have been

allowed to corrode, subjected to misuse, neglect, accident, or modification by anyone other than TrynEX or that have been affixed to any nonstandard accessory attachment or that have been used, stored, installed, maintained or operated in violation of TrynEX's instructions or standard industry practice. No agent, employee or representative of TrynEX has any authority to bind TrynEX to any affirmation, representation or warranty concerning the Product and any affirmation, representation or warranty made by any agent, employee or representative shall not be enforceable by Purchaser.

**THIS WARRANTY EXTENDS ONLY TO THE ORIGINAL PURCHASER AND IS EXPRESSLY IN LIEU OF ANY OTHER EXPRESS OR IMPLIED WARRANTIES, INCLUDING WITHOUT LIMITATION ANY IMPLIED WARRANTY OR MERCHANTABILITY OR FITNESS OR INTENDED USE FOR A PARTICULAR PURPOSE AND OF ANY OTHER OBLIGATION ON THE PART OF TrynEX.**

**TrynEX SHALL NOT BE LIABLE FOR ANY INCIDENTAL, SPECIAL OR CONSEQUENTIAL LOSS, DAMAGE OR EXPENSE DIRECTLY OR INDIRECTLY ARISING FROM THE USE OF ANY OF THE PRODUCT INCLUDING, BUT NOT LIMITED TO, DAMAGE OR LOSS OF OTHER PROPERTY OR EQUIPMENT, LOSS OF PROFITS OR REVENUE, COST OF CAPITAL, COST OF PURCHASED OR REPLACEMENT GOODS, OR CLAIMS OF CUSTOMERS OF PURCHASER.**

# Parts List for Model SP-75



PART OF OUR SERVICE IS PROVIDING REPLACEMENT PARTS. Parts may be obtained through your local distributor. Be sure to give the:

1. SPREADER MODEL NUMBER
2. SPREADER NAME
3. PART NUMBER
4. NAME OF PART AS SHOWN

IF YOUR LOCAL DISTRIBUTOR CANNOT SUPPLY PARTS, CONTACT:

**TRYNEX**

**INTERNATIONAL**  
23455 Regency Park Dr.  
Warren, Michigan 48089

#	SP-75	DESCRIPTION	#	SP-75	DESCRIPTION	#	SP-75	DESCRIPTION
1	D6043	Hopper*	12	D6048	Shutoff Plate*	24	D6021	Gear Support**
1A	D6044	Hopper Assembly	13	D6008	Shutoff Plate Guide*	25	D6024	Axle Collar (3)
2	D6014	Hopper Screen	14	D6054	Cable Clamp	26	D6023	Axle
3	D6015	Screen Clip (2)	15	D6055	Cable Bracket	27	D6022	Axle Gear w/ Roll Pin
4	D6046	ON/OFF Control	16	D6056	Reinforcing Washers (2)	28	D6020	Pinion Gear w/ Roll Pin**
5	D6030	Lower Handle Brace	17	D6018	Impeller w/ Roll Pin**	29	D6009	Impeller Bearing Ass'y*
6	D6045	Upper Handle	18	D6017	Impeller Assembly	30	D6026	Gear Cover Clamps (3)
7	D6032	Handle Grips	19	D6027	Frame Ass'y. w/ Bearings	31	D6028	Axle Bearings (4)
8	D6041	Hopper Cover	20	D6036	Free Wheel w/ Cotter Pin	32	D6035	Drive Wheel w/ Cotter
9	D6047	Fastener Package	21	D6025	Gear Cover Complete			
10	D6029	Leg w/ Tube Caps	22	D6016	Agitator			
11	D6039	Deflector w/ Bracket	23	D6019	Impeller Shaft**			

\*Parts in hopper ass'y,  
\*\*Parts in impeller ass'y.